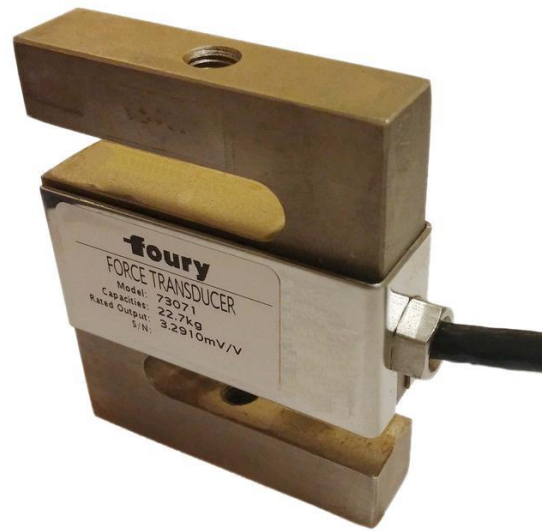


MODEL 73071

Model 73071 is a tension-compression Force Transducer with a humidity-resistant coating and shielded cables, which enable use in harsh environments while maintaining operating specifications.

Additional sense wires compensate for changes in lead resistance due to temperature change and/or cable extension.

Ideally suited for lever conversions, hanging scales, force measurement and a wide range of other industrial applications. Nickel-plated for outstanding corrosion resistance.



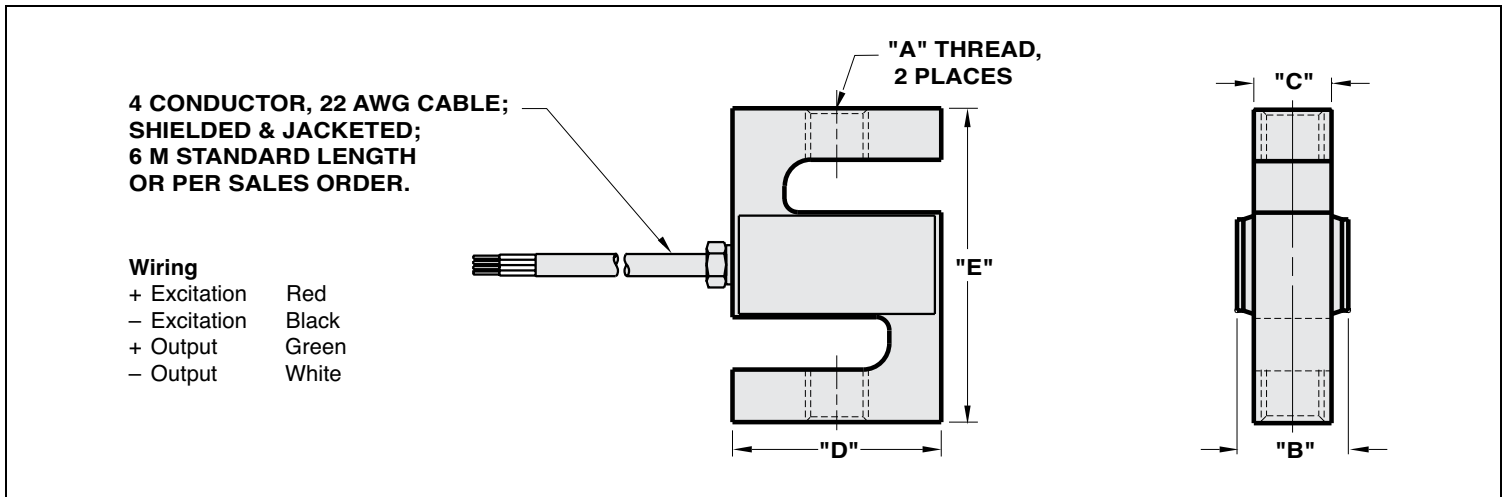
FEATURES

- Rated Capacities 11.4 kg ~ 9.08 t
- Designed for single or multiple load cell applications
- Constructed of high quality alloy tool steel
- Nickel plated for outstanding corrosion resistance
- Sensorgage™ sealed to IP67 standards

APPLICATIONS

- Hopper (Tank weighing)
- Tank, bin and hopper weighing
- Level and inventory monitoring
- Truck scale conversions
- Tension and compression measurements

DIMENSIONS mm



CAPACITY	A	B	C	D	E	DEFLECTION	WEIGHT(kg)
11.4kg ~90.8kg	1/4-28 UNF-2B	16.5	12.7	50.8	63.5	0.03-0.004	1.8
113.5, 136.2kg	3/8-24 UNF-2B	19.1	12.7	50.8	76.2	0.004	1.8
227kg ~ 908kg	1/2-20 UNF-2B	25.4	19.1	50.8	76.2	0.004	3.0
1.14t, 1.36t	1/2-20 UNF-2B	31.8	25.4	50.8	76.2	0.008	3.0
2.27t	3/4-16 UNF-2B	31.8	25.4	76.2	108.0	0.008	3.0
4.54t	3/4-16 UNF-2B	31.8	25.4	88.9	120.7	0.011	3.0
6.81t	1-14 UNF-2B	38.1	31.8	101.6	139.7	0.011	4.1
9.08t	1-1/4-12 UNF-2-B	57.2	50.8	127.0	177.8	0.011	4.1

Capacities are in kg/t . Deflection is ±10%. Certified drawings are available.

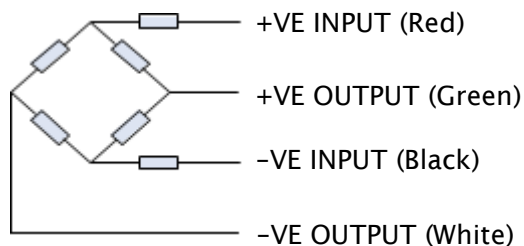
SPECIFICATIONS

PARAMETER	VALUE	UNIT
Rated capacity—R.C. (Emax)	11.4, 22.7, 34.1, 45.4, 68.1, 90.8, 113.5, 136.2, 227, 340.5, 454, 681, 908 kg 1.14, 1.36, 2.27, 4.54, 6.81, 9.08 t	Kg kg t
accuracy class	Standard	
Maximum no. of intervals (n)	5000	
Y = Emax/Vmin	5000	Maximum available
Rated output—R.O.	3.0	mV/V
Rated output tolerance	11.4kg-1.36t : +25/-10 2.27-9.08t : ±0.25	%
Zero balance	1.0	±% FSO
Combined error	0.02	±% FSO
Non-repeatability	0.01	±% FSO
Creep error (30 minutes)	0.025	±% FSO
Temperature effect on zero	0.0010	±% FSO/°F
Temperature effect on output	0.0008	±% of load/°F
Compensated temperature range	14 to 104 (-10 to 40)	°F (°C)
Operating temperature range	0 to 150 (-18 to 65)	°F (°C)
Storage temperature range	-60 to 185 (-50 to 85)	°F (°C)
Safe sideload	30	% of R.C.
Maximum safe central overload	150	% of R.C.
Ultimate central overload	300	% of R.C.
Excitation, recommended	10	VDC or VAC RMS
Excitation, maximum	15	VDC or VAC RMS
Input impedance	343-450	Ω
Output impedance	349-355	Ω
Insulation resistance at 50 VDC	>1000	MΩ
Material	Nickel-plated alloy tool steel	
Environmental protection	IP67	

FSO-Full Scale Output

All specifications subject to change without notice.

WIRING SCHEMATIC DIAGRAM



PROCESS WEIGHING CONTROL SOLUTIONS

Yunyan Electrical Technology Co., Ltd.

Tianhe District, Guangzhou CHINA Phone: +86 20 8550 3591 - Fax: +86 20 8550 3565
E-Mail: info@fouryweigh.com - Internet: www.fouryweigh.com